



Datenblatt - Fiche technique - Data sheet

25.16.8494



ROLINE Kat.6/Cl.E Dose, ungeschirmt, Unterputz, weiss

ROLINE Embase double non blindée cat. 6 / classe E, blanc pur

ROLINE Flush Mount Wall Jack, Cat.6, unshielded, white

A

B

C

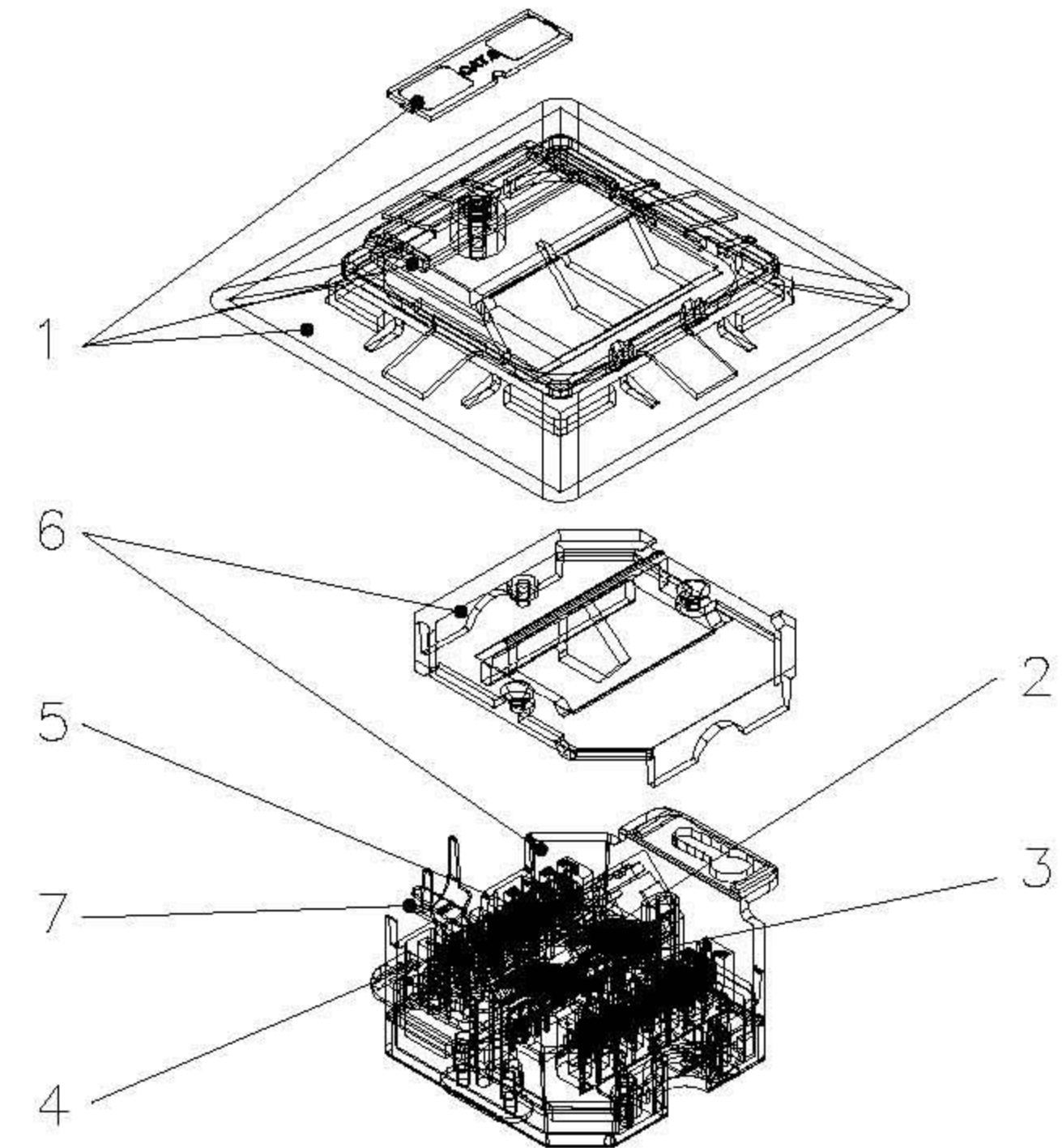
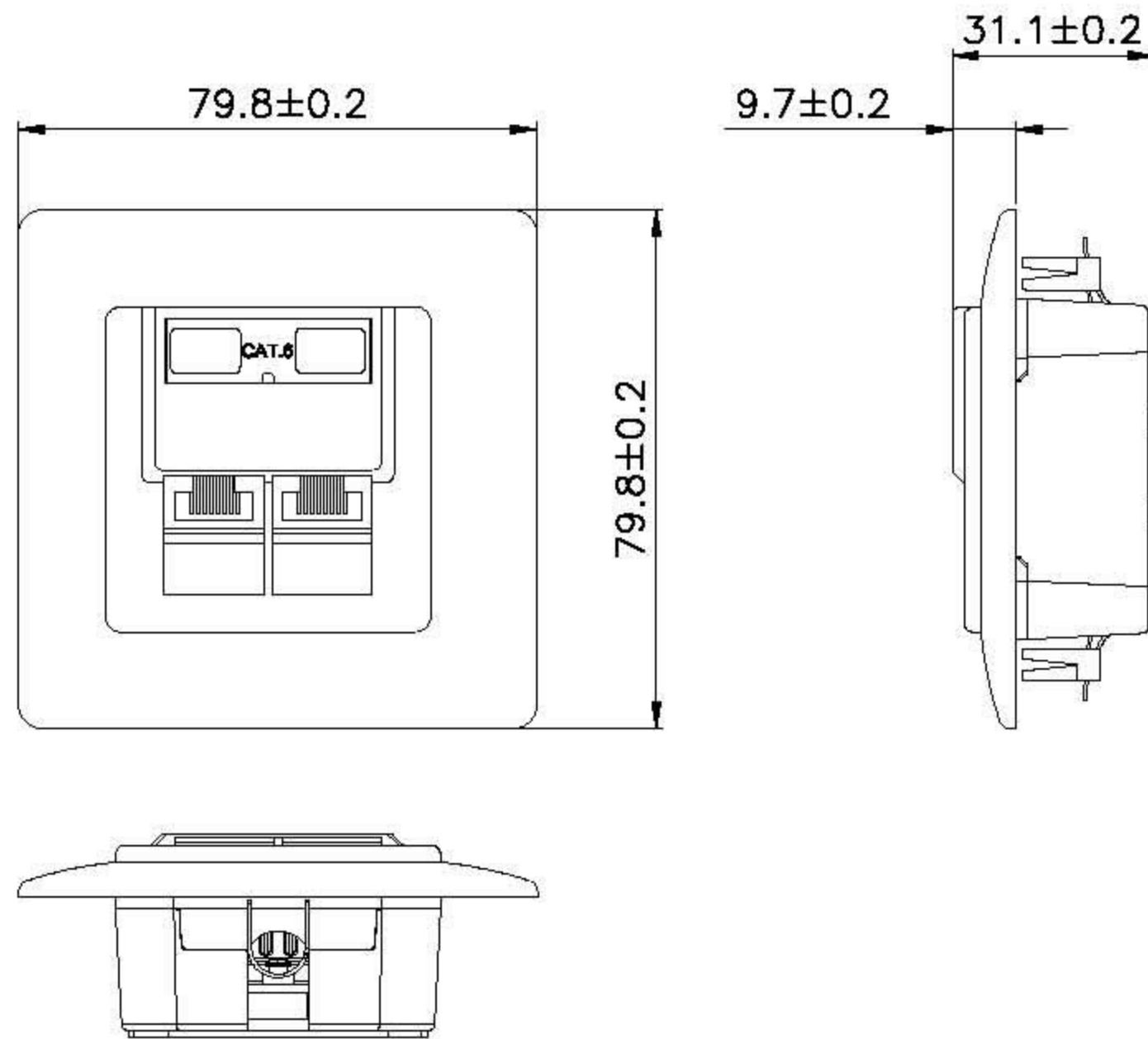
D

A

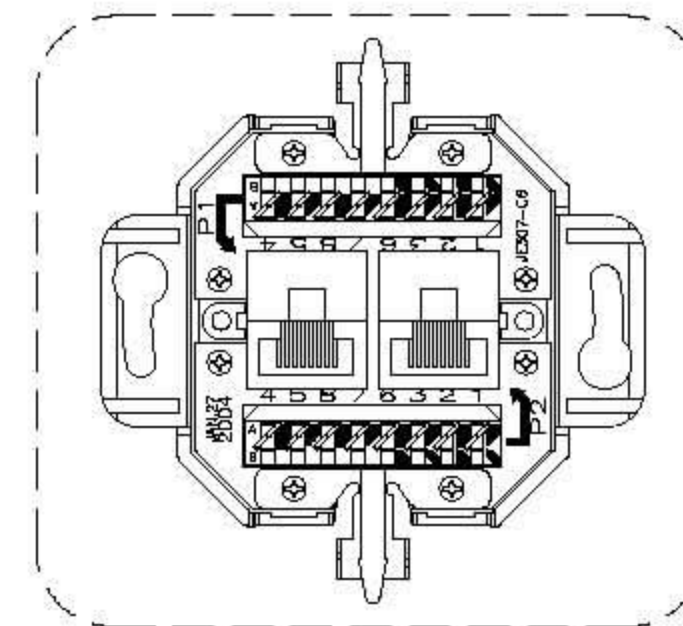
B

C

D



SCALE 1/2



SCALE 1/2

Specification :

Material :

- 1. Surface & Mounting plate & Name Plate : ABS, UL 94-HB.
- 2. RJ45 Jack Housing : PBT, UL 94V-0.
- 3. RJ45 Contact material & finished :
 - 3-1. Phosphor Bronze with 50-60 micro-inch Nickel plated.
 - 3-2. Contact area : Min. 3 mm 50 micro-inch Gold plated.
- 4. IDC Housing : Polycarbonate, UL 94V-2, KRONE impact.
- 5. IDC Terminal material & finished :
 - 5-1. Phosphor Bronze with 50 micro-inch Tin plated.
 - 5-2. Krone tool only.
 - 5-3. Use for 22-26 AWG stranded & solid wire.
- 6. Top & Bottom Case : Zinc Die-casting.
- 7. Cable Clamp : Bronze with Nickel plated.

Performance :

- a. The IDC color codes combine two wirings of T568A & T568B.
- b. Insertion force : 900 gms for 8 contacts.
- c. Retention strength : 7.7 kgs between Jack and Plug.
- d. Operation temperature : -40°C to 80°C.
- e. Durability :
 - e-1. Jack : 750 cycles Plug-Jack mating and unmating test, insertion cycles at 20 cycles/minute max. Contact resistance test per 100 cycles.
 - e-2. IDC : Max. 200 punching times.
- f. The Cat.6 performance is in compliance with the ANSI/TIA/EIA 568 B.2-1 standard.

Plastic Color
White, Ivory.

GENERAL TOLERANCE OF DIMENSIONS X.XXX ±0.005 X.XX ±0.05 X.X ±0.1	DRAWING	19.MAR.2009	Connie	rotronic	
	CHECK	19.MAR.2009	KLi		
	APPROVAL	19.MAR.2009	Yty		
		DATE	NAME	ITEM NO.: 25.16.8494, 25.16.8500	
	SCALE	1/2 (A4)	UNIT	mm	DES.: Cat.6 German Flush Mounted Plate
	DRAWING NO. JE307AC6-USD/XX(SA1)		DRAWING CLASSIFICATION		SHEET 1 OF 1