



Datenblatt - Fiche technique - Data sheet

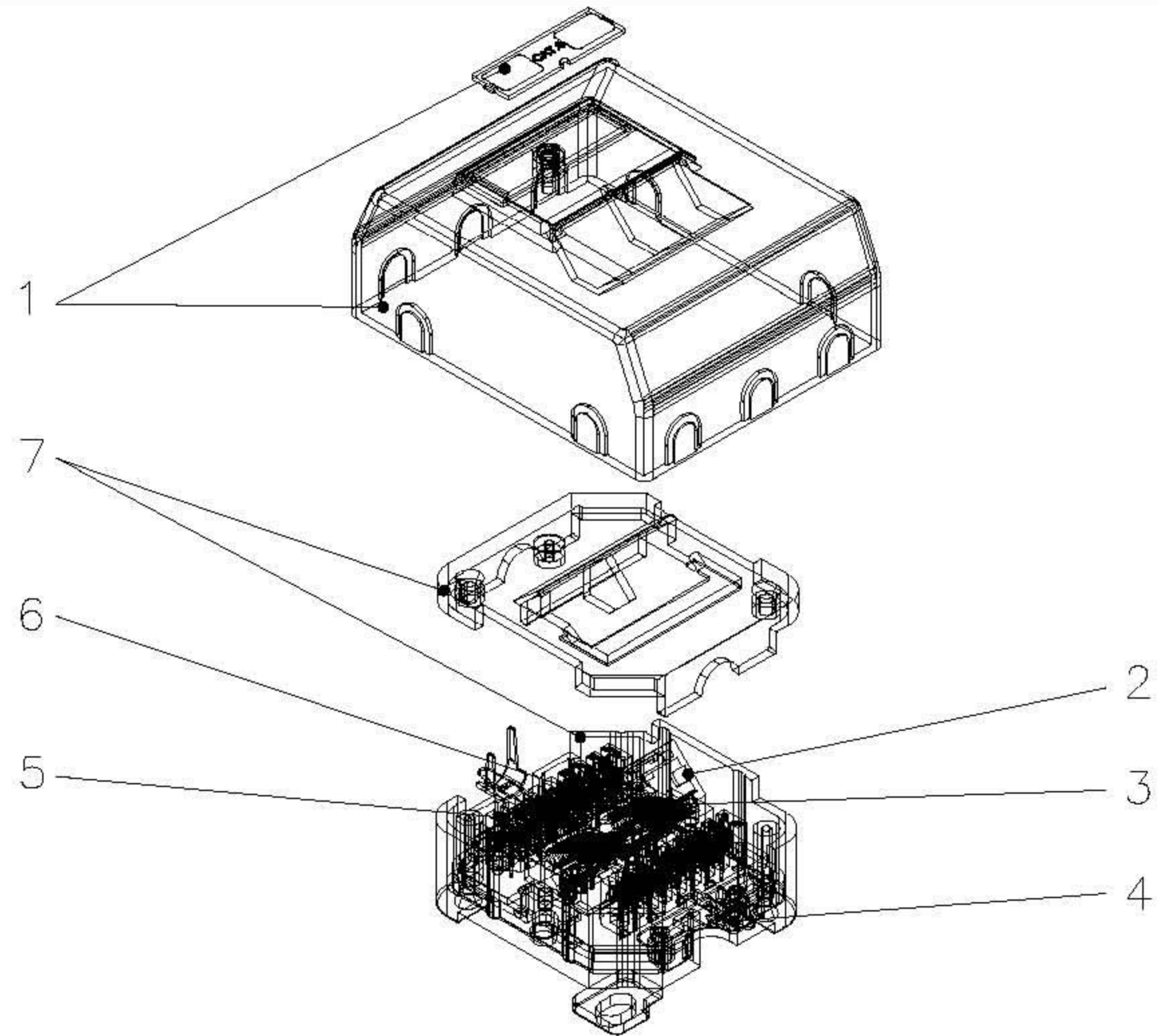
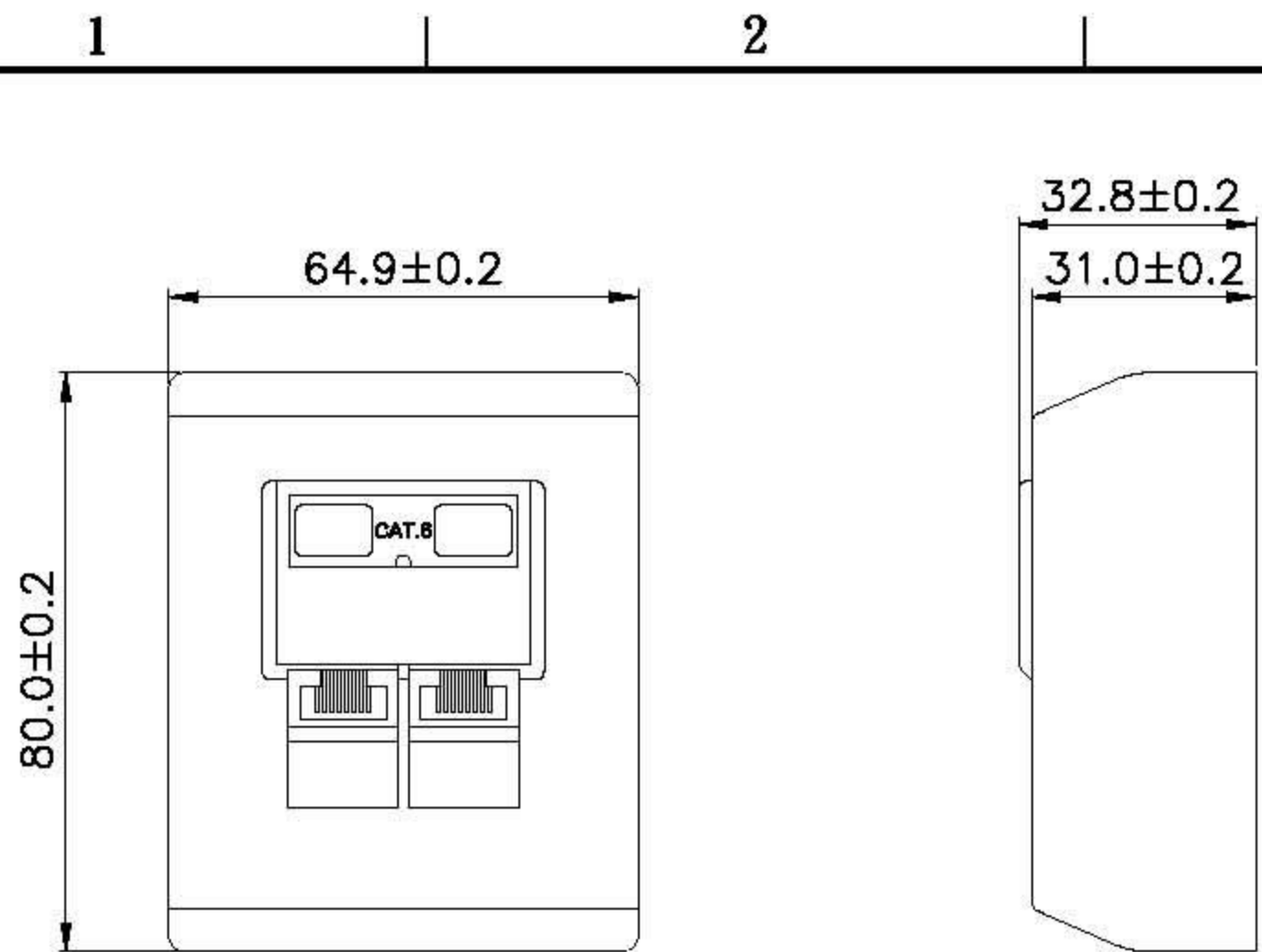
**25.16.8394**



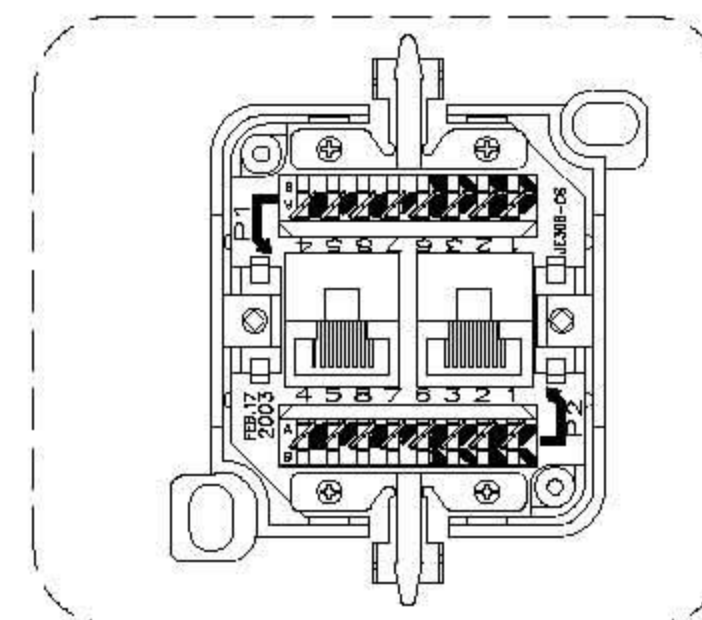
ROLINE Kat.6/Cl.E Dose, ungeschirmt, Aufputz, weiss

ROLINE Boîtier double non blindé cat. 6 / classe E, blanc pur

ROLINE Surface Mount Wall Jack, Cat.6, unshielded, white



SCALE 1/2



SCALE 1/2

Specification :

Material :

1. Surface Mounting Box & Name Plate : ABS, UL 94-HB.
2. RJ45 Jack Housing : PBT, UL 94V-0.
3. RJ45 Contact material & finished :
  - 3-1. Phosphor Bronze with 30-40 micro-inch Nickel plated.
  - 3-2. Contact area : Min. 3 mm 50 micro-inch Gold plated.
4. IDC Housing : Polycarbonate, UL 94V-2, KRONE impact.
5. IDC Terminal material & finished :
  - 5-1. Phosphor Bronze with 80 micro-inch Tin plated.
  - 5-2. Krone tool only.
  - 5-3. Use for 22-26 AWG stranded & solid wire.
6. Top & Bottom Case : ABS, UL 94-HB.
7. Cable Clamp : Bronze with Nickel plated.

Performance :

- a. The IDC color codes combine two wirings of T568A & T568B.
- b. Insertion force : 900 gms for 8 contacts.
- c. Retention strength : 7.7 kgs between Jack and Plug.
- d. Operation temperature : -40°C to 80°C.
- e. Durability :
  - e-1. Jack : 750 cycles Plug-Jack mating and unmating test, insertion cycles at 20 cycles/minute max. Contact resistance test per 100 cycles.
  - e-2. IDC : Max. 200 punching times.
- f. The Cat.6 performance is in compliance with the ANSI/TIA/EIA 568 B.2-1 standard.

Remark : JE308C6-USD/XX  
(1)

(1) XX : Plastic Color  
WH=White, IV=Ivory.

GENERAL TOLERANCE OF DIMENSIONS X.XXX ±0.005 X.XX ±0.05 X.X ±0.1	DRAWING	19.MAR.2009	Connie	<b>rotronic</b>	
	CHECK	19.MAR.2009	KLi		
	APPROVAL	19.MAR.2009	Yty		
		DATE	NAME	ITEM NO.: 25.16.8394,95	
	SCALE	1/2(A4)	UNIT	mm	DES.: Cat.6 German Surface Mounted Box
	DRAWING NO. JE308C6-USD/XX(SA1)				A1
	DRAWING CLASSIFICATION		SHEET	1 OF 1	