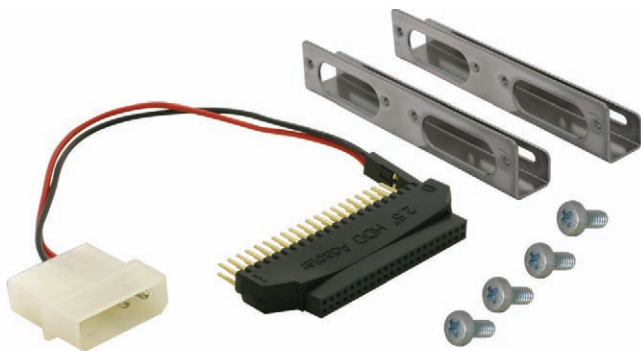




User manual

**DEL**OCK®  
we move the world

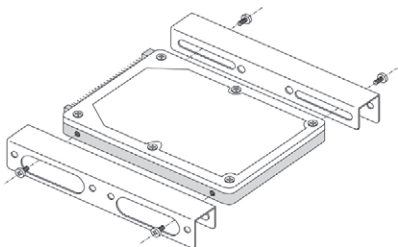
## Adapter HDD 2.5" > 3.5" incl. metal bracket



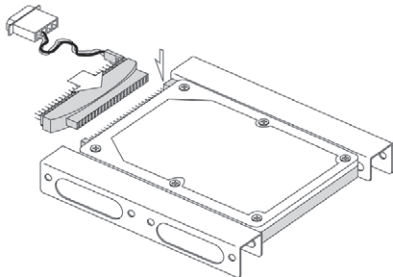
Product-No:61022  
User manual no:61022-a  
[www.delock.com](http://www.delock.com)



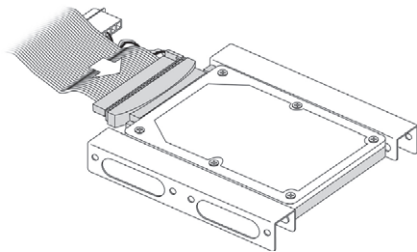
1. Screw the screws with the metal brackets to the HDD.



2. Connect the 44-pin port to the HDD.

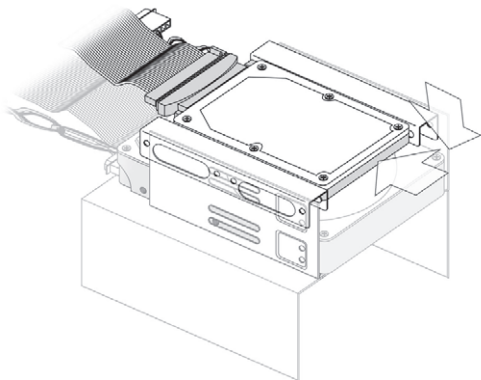


3. Now connect your 40-pin IDE cable.





4. Install the frame into a 3.5" bay.



### **Support Delock**

If you have further questions, please contact our customer support [support@delock.de](mailto:support@delock.de)

You can find current product information on our homepage:  
[www.delock.com](http://www.delock.com)

### **Final clause**

Information and data contained in this manual are subject to change without notice in advance. Errors and misprints excepted.

### **Copyright**

No part of this user manual may be reproduced, or transmitted for any purpose, regardless in which way or by which means, electronically or mechanically, without explicit written approval of Delock.