

LogiLink®

Alumium Triple Monitor Desk Mount with Gas Spring for 13"-32" Flat & Curved Monitor

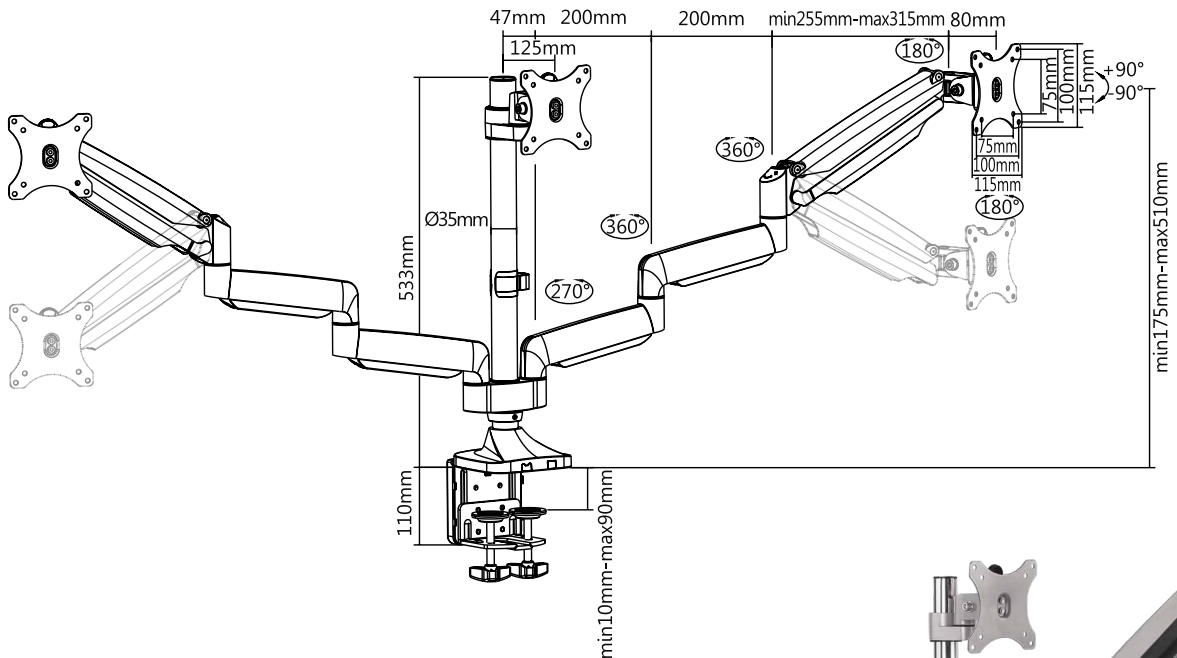
Art. No.: BP0052



Easy installation and compatible with VESA standard max. 100x100 mm.

Features:

- » Super strong mounting brackets: Solid-reinforced Cold Steel, durable product with maximum capacity of 7 kg for each arm
- » Maximum arm extension length is 762 mm, Tilt capacity: -90° – 90° , Swivel capacity: -90° – 90° and Rotation capacity: -90° – 90°
- » Compatible with VESA 75x75 mm, 100x100 mm
- » Clamp and grommet mount included
- » Easy to install
- » Fit for 13–32 inch LCD Monitor



Grommet or desk-clamp mounting available



*The specifications and pictures are subject to change without prior notice.
*All trade names referenced are the registered trademarks of their respective owners.

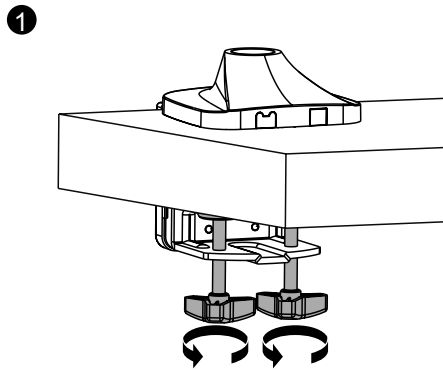


Made in China

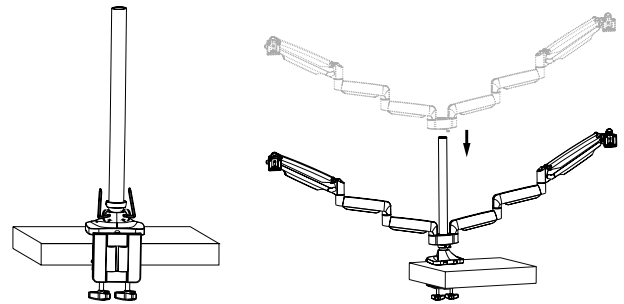
LogiLink®

Alumium Triple Monitor Desk Mount with Gas Spring
for 13"-32" Flat & Curved Monitor

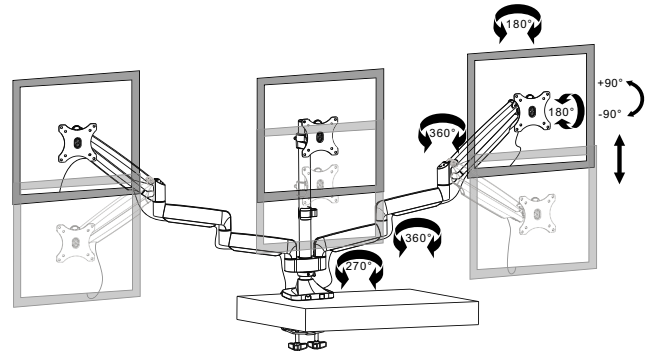
Art. No.: BP0052



2



3



Specification:

Screen Size	13"-32"
Rated Load	1-7 kg for each arm
VESA	75x75, 100x100
Arm Extend	762 mm
Tilt	-90° -90°
Swivel	-90°-90°
Rotate	-90°-90°
Desktop Thickness	10-90 mm
Pole Height	533 mm
Product Size	1530x190x700 mm



*The specifications and pictures are subject to change without prior notice.
*All trade names referenced are the registered trademarks of their respective owners.



Made in China

Best Connectivity

LogiLink®

Alumium Triple Monitor Desk
Mount with Gas Spring
for 13"-32" Flat & Curved Monitor

Art. No.: BP0052



Package Contents:

- » 1x Alumium Triple Monitor Desk Mount
- » 1x Screw Package
- » 1x User Manual

Package Informations:

- » Packing Dimension: 490x360x160 mm
- » Packing Weight: 10.64 kg
- » Carton Dimension: 510x375x345 mm
- » Carton Q'ty: 2 pcs
- » Carton Weight: 22.37 kg



*The specifications and pictures are subject to change without prior notice.
*All trade names referenced are the registered trademarks of their respective owners.

